

Super Capacitor

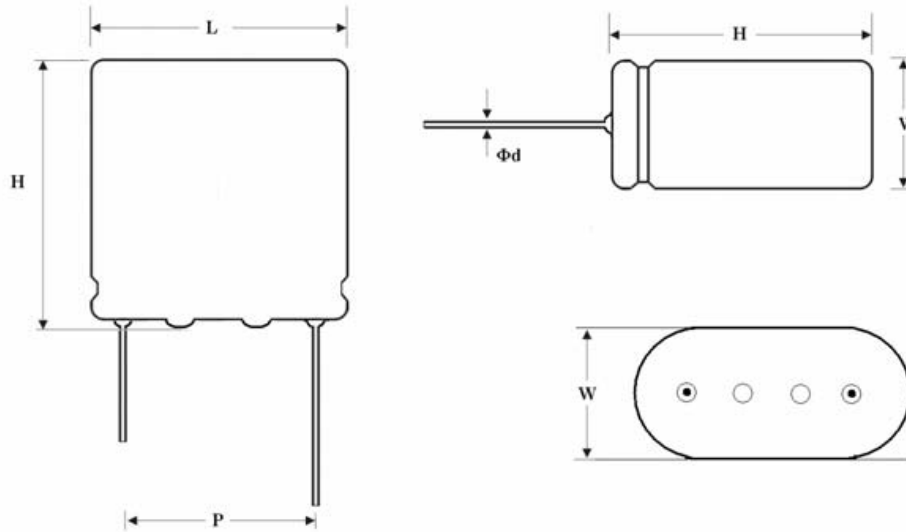
SE-5R5-Z105VY

Specification

Rate discharge capacitance (F 25°C ΔV=3.0V-2.5V I=0.1A)	1
Capacitance tolerance	-20%~+80%
Nominal Voltage U₀ (V)	5.5
Operating temperature range	-25°C~70°C
MAX.ESR(mΩ 1KHz)	500
Dimension(mm W x L x H)	10x21x22
Down-lead distance(mm P)	16±0.5
Down-lead diameter(mmφ d)	0.6±0.05
Cycle life Expectancy	Nominal voltage , 100,000 times charge-discharge circle ΔC/C ≤30% of the initial value, ESR≤4 times of the specified value(25°C)
Temperature characteristics	+70°C, ΔC/C ≤30% of the initial value ESR ≤ specified value(25°C) -25°C, ΔC/C ≤50% of the initial value ESR≤4 times of the specified value(25°C)
High temperature load characteristics	+70°C±2, nominal voltage, After 1000h ΔC/C ≤ 30% of the initial value ESR≤4 times of the specified value(25°C)
High temperature without load characteristics	Same with the High temperature load characteristics
Humidity Resistance	+40°C±2, 90--95% RH, After 240h ΔC/C ≤30% of the initial measured value IL≤2 times of specified value (25°C) ESR≤4 times of specified value (25°C)

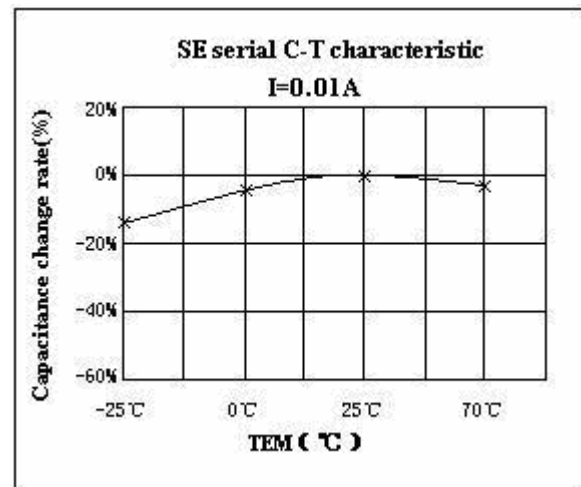
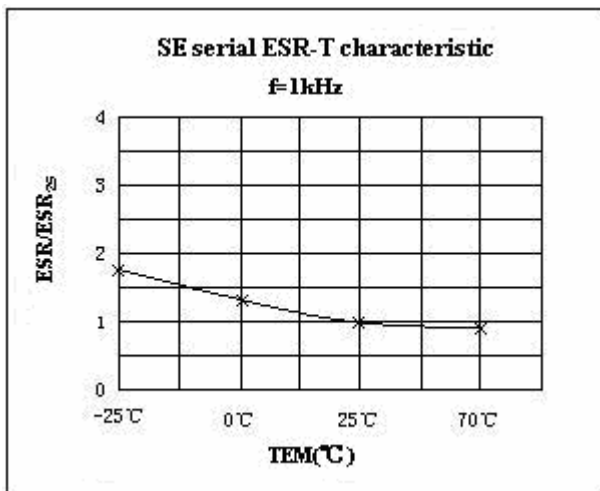
Note: Information above just for your reference, more details please contact Green Energy Battery Co., Ltd.

Figure and Dimension

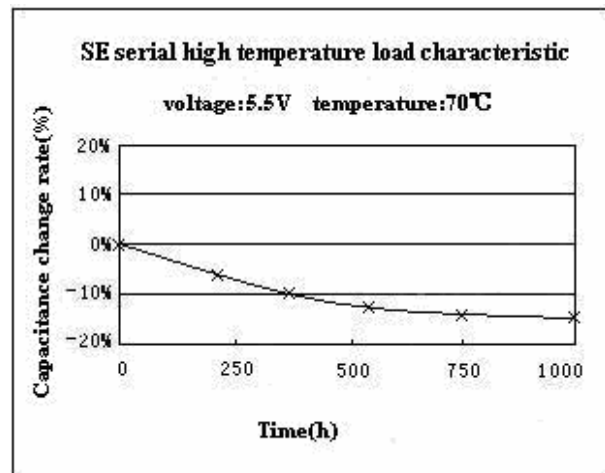
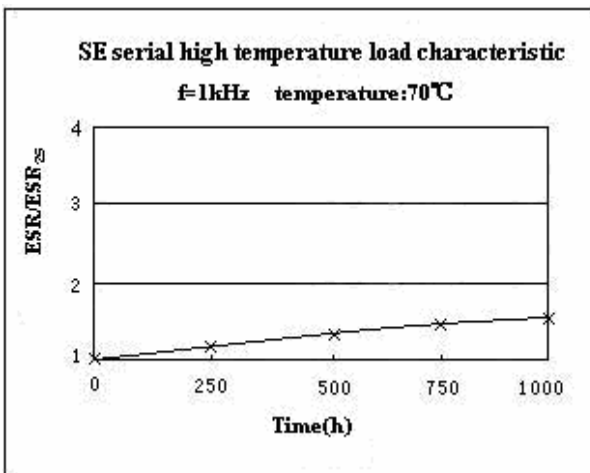


Characteristics Test Results

(1). Temperature characteristics



(2). Life characteristics



Note: Information above just for your reference, more details please contact Green Energy Battery Co., Ltd.