

# Super Capacitor

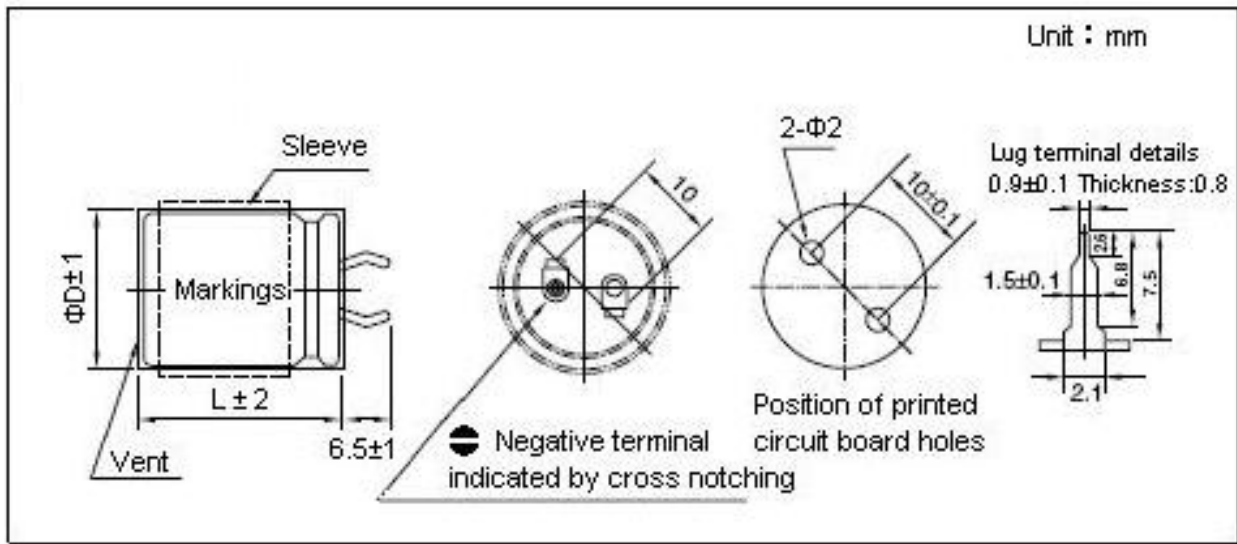
## SP-2R5-J107UY

### Specification

<b>Rate discharge capacitance (F 25°C ΔV=1.5V-1.25V I=5A)</b>	<b>100</b>
<b>Capacitance tolerance</b>	<b>-10%~+20%</b>
<b>Nominal Voltage U<sub>0</sub> (V)</b>	<b>2.5</b>
<b>Operating temperature range</b>	<b>-40°C~70°C</b>
<b>MAX.ESR(mΩ 1KHz)</b>	<b>15</b>
<b>Dimension(mm φ D x L)</b>	<b>22x45</b>
<b>Down-lead distance(mm P)</b>	<b>10±1</b>
<b>Down-lead diameter(mm φ d)</b>	<b>1±0.1</b>
<b>Cycle life Expectancy</b>	Nominal voltage , 100,000 times charge-discharge circle  ΔC/C ≤30% of the initial value, ESR≤4 times of the specified value(25°C)
<b>Temperature characteristics</b>	+70°C,  ΔC/C ≤30% of the initial value ESR ≤ specified value(25°C) -40°C,  ΔC/C ≤50% of the initial value ESR≤4 times of the specified value(25°C)
<b>High temperature load characteristics</b>	+70°C±2, nominal voltage, After 1000h  ΔC/C  ≤ 30% of the initial value ESR≤4 times of the specified value(25°C)
<b>High temperature without load characteristics</b>	Same with the High temperature load characteristics
<b>Humidity Resistance</b>	+40°C±2, 90--95% RH, After 240h  ΔC/C ≤30% of the initial measured value IL≤2 times of specified value (25°C) ESR≤4 times of specified value (25°C)

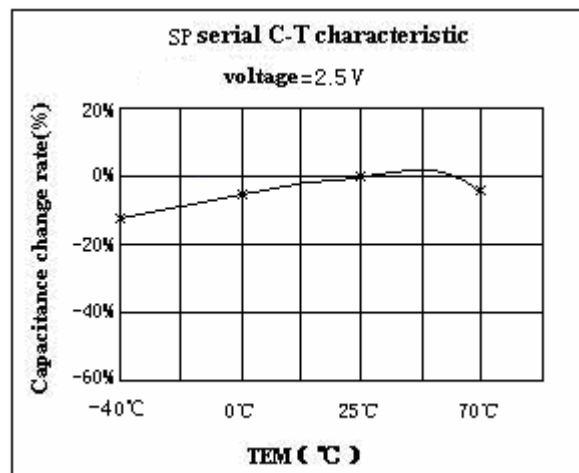
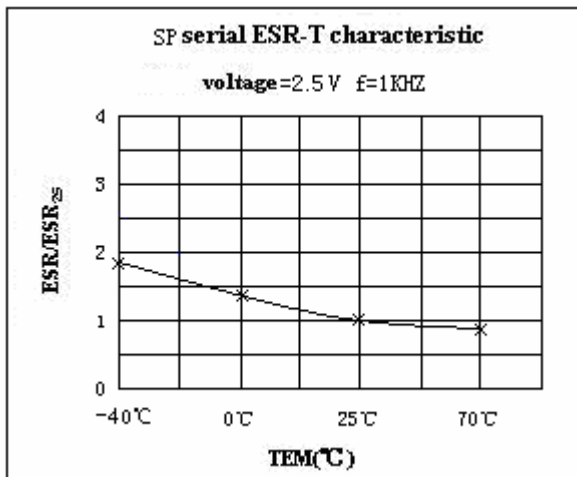
Note: Information above just for your reference, more details please contact Green Energy Battery Co., Ltd.

**Figure and Dimension**

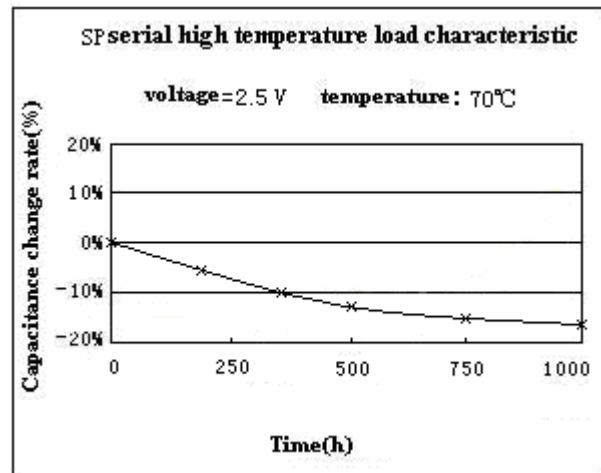
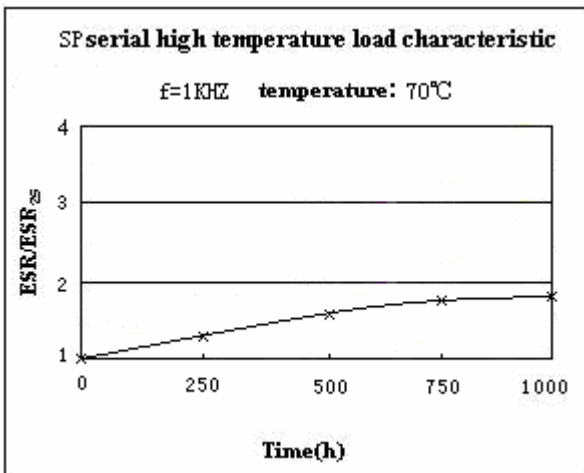


**Characteristics Test Results**

(1). Temperature characteristics



(2). Life characteristics



Note: Information above just for your reference, more details please contact Green Energy Battery Co., Ltd.