

Super Capacitor

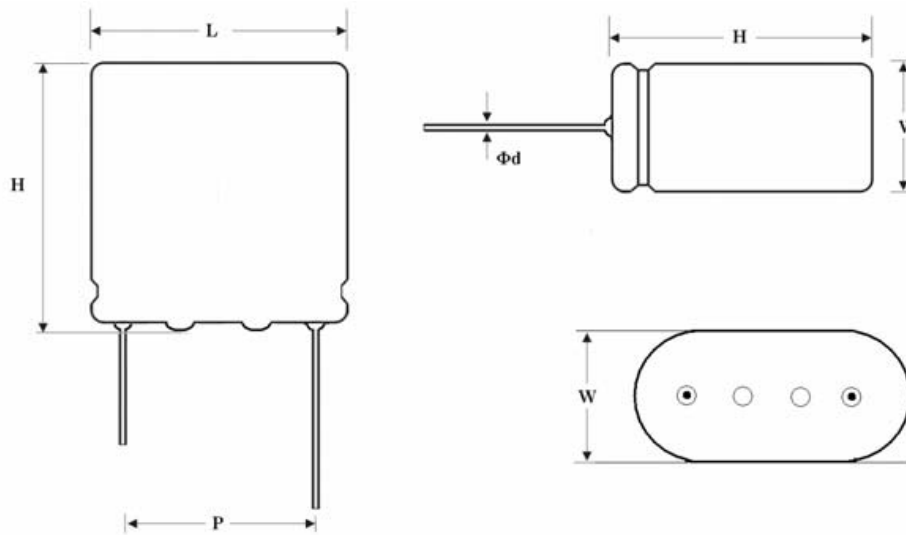
SP-5R5-Z224VY

Specification

Rate discharge capacitance (F 25°C ΔV=3.0V-2.5V I=0.01A)	0.22
Capacitance tolerance	-20%~+80%
Nominal Voltage U₀ (V)	5.5
Operating temperature range	-40°C~70°C
MAX.ESR(mΩ 1KHz)	600
Dimension(mm W x L x H)	7x13x14
Down-lead distance(mm P)	8±0.5
Down-lead diameter(mmφ d)	0.5±0.05
Cycle life Expectancy	Nominal voltage , 100,000 times charge-discharge circle ΔC/C ≤30% of the initial value, ESR≤4 times of the specified value(25°C)
Temperature characteristics	+70°C, ΔC/C ≤30% of the initial value ESR ≤ specified value(25°C) -40°C, ΔC/C ≤50% of the initial value ESR≤4 times of the specified value(25°C)
High temperature load characteristics	+70°C±2, nominal voltage, After 1000h ΔC/C ≤ 30% of the initial value ESR≤4 times of the specified value(25°C)
High temperature without load characteristics	Same with the High temperature load characteristics
Humidity Resistance	+40°C±2, 90--95% RH, After 240h ΔC/C ≤30% of the initial measured value IL≤2 times of specified value (25°C) ESR≤4 times of specified value (25°C)

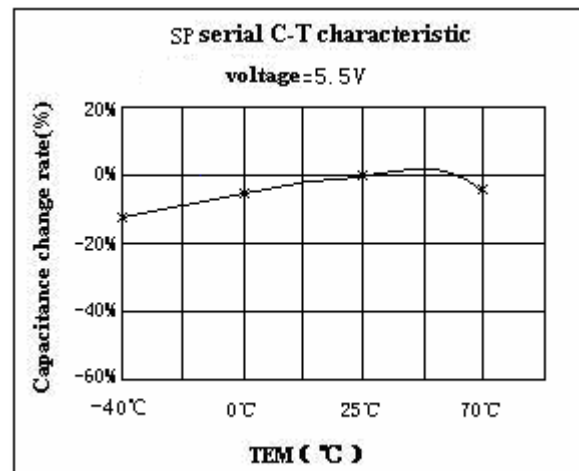
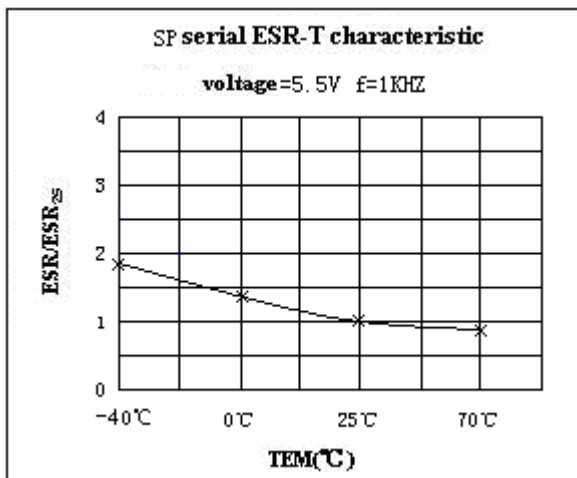
Note: Information above just for your reference, more details please contact Green Energy Battery Co., Ltd.

Figure and Dimension

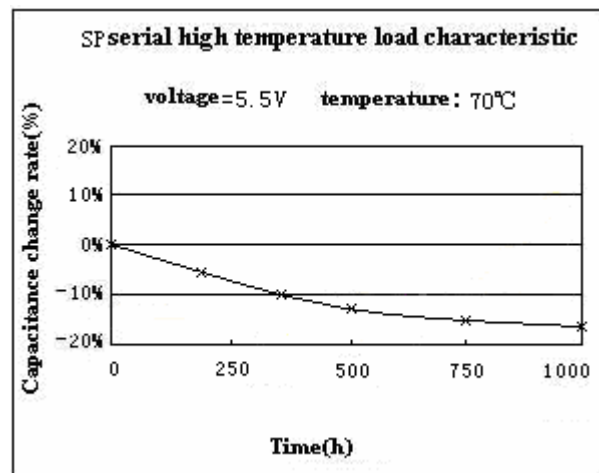
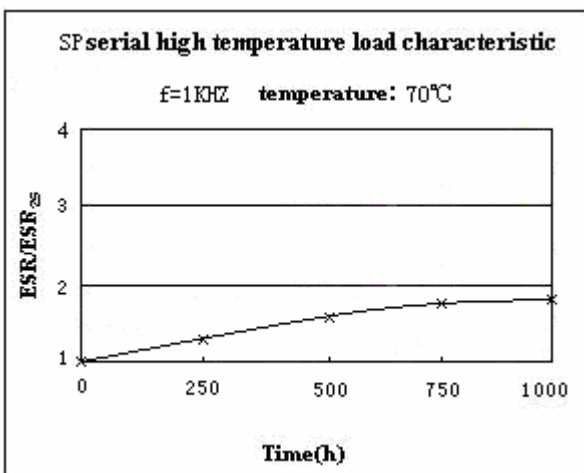


Characteristics Test Results

(1). Temperature characteristics



(2). Life characteristics



Note: Information above just for your reference, more details please contact Green Energy Battery Co.,Ltd.